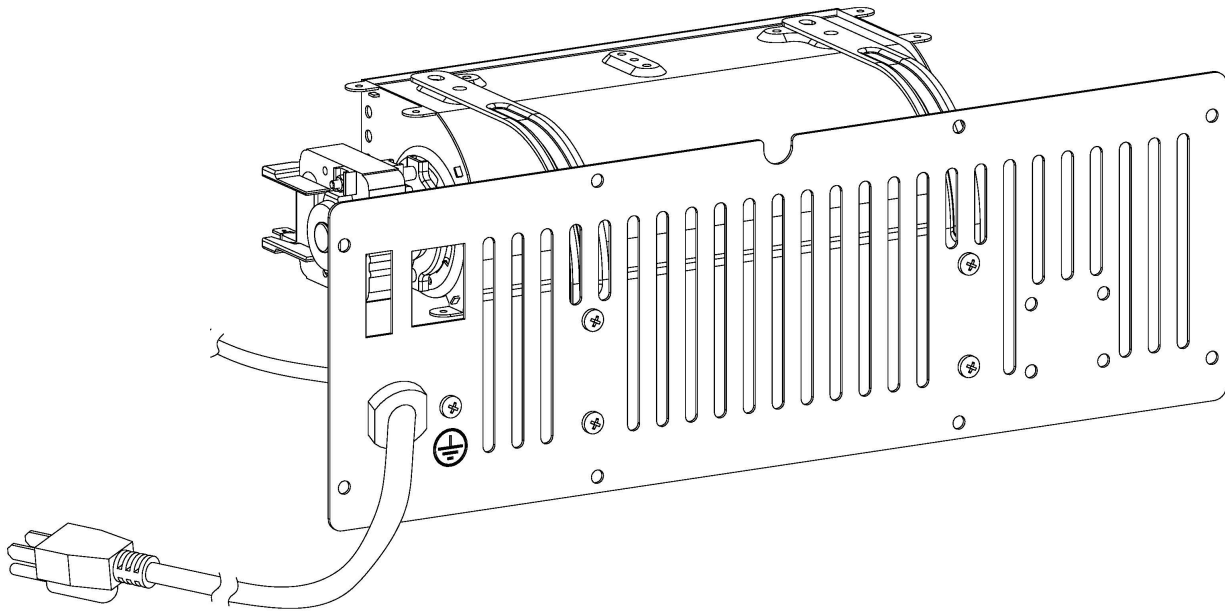


**Model:
HHFAN100**

This blower is a CSA-approved component compatible with these Hearth & Home Dynamics Vent Free heaters only:

HHSTDF26I / HHFPDF32F1



CAUTION—FOR YOUR SAFETY

READ THIS MANUAL BEFORE INSTALLING AND USING THIS APPLIANCE.

▲ WARNING

IF THE INFORMATION IN THIS MANUAL IS NOT FOLLOWED EXACTLY, A FIRE OR EXPLOSION MAY RESULT CAUSING PROPERTY DAMAGE, PERSONAL INJURY, OR LOSS OF LIFE.

▲ WARNING

THIS PRODUCT IS ONLY FOR USE WITH THE MODELS SPECIFIED IN THIS MANUAL BY THE MANUFACTURER. ANY OTHER USAGE OR INSTALLATION NOT SPECIFIED IN THIS MANUAL IS PROHIBITED.

**INSTALLER: Leave this manual with the appliance.
CONSUMER: Retain this manual for future reference.**

Safety Information

IMPORTANT: Read all instructions and warnings carefully before starting installation. Failure to follow these instructions may result in possible injury to persons or a fire hazard and will void the warranty.

▲WARNING

Electrical Grounding Instructions: This appliance accessory is equipped with a three-prong (grounding) plug for your protection against shock hazard and must be plugged directly into a properly grounded three-prong receptacle.

▲WARNING

Make sure any panel, safety screen, or guard removed for servicing is replaced prior to operating the appliance.

▲WARNING

Any change to this appliance or its controls can be dangerous.

- Read all instructions before using this appliance accessory.
- If possible, always unplug this appliance accessory when not in use.
- Do not operate any heater with a damaged cord or plug, or after the appliance malfunctions, has been dropped, or damaged in any manner.
- Under no circumstances should this appliance accessory be modified. Parts removed for servicing must be replaced prior to operating this appliance again.
- Do not use outdoors.
- This appliance is not intended for use in bathrooms, laundry areas, and similar indoor locations. Never locate this appliance where it may fall into a bathtub or other water container.
- Do not run the cord under carpet. Do not cover the cord with throw rugs, runners, or the like. Arrange the cord away from traffic areas and where it will not be tripped over.
- To disconnect this appliance, turn the controls to the "OFF" position. Then remove the plug from the outlet.
- Connect to properly grounded outlets only.
- When installed, this appliance must be electrically grounded in accordance with local codes, with the current USA installations, or in the absence of local codes, the *National Electric Code, ANSI/NFPA No. 70*.
- Do not insert or allow foreign objects to enter any ventilation or exhaust opening as this may damage the appliance or cause an electric shock or fire.
- To prevent a possible fire, do not block air intakes or exhaust in any manner.
- Use this appliance only as described in this manual. Any other use not recommended by the manufacturer may cause fire, electric shock, or personal injury.
- Installation and repair should be done by a qualified service person. The appliance should be inspected before use and at least annually by a professional service person. More frequent cleaning may be required due to excessive lint from carpeting, bedding material, etc. It is imperative that control compartments, burners, and circulating air passageways of the appliance be kept clean.

Installation

Before installing the appliance accessory, make sure all parts are present. Compare parts with the package contents listed below. If any part is missing or damaged, do not attempt to assemble, install, or operate the appliance. Contact customer service for replacement parts at 1-888-534-1578.

Package Contents:

- Complete blower accessory
- Blower duct
- Wire harness
- ON, OFF and AUTO switch

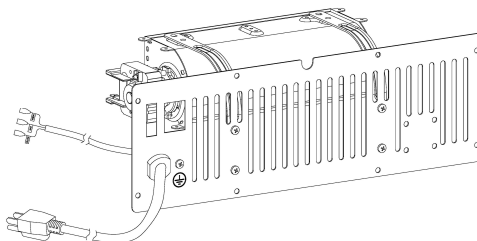
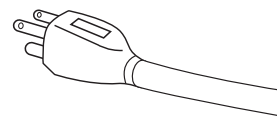


Fig. 1—Grounded Three-Prong Receptacle

⚠ WARNING Electrical grounding instructions: This appliance is equipped with a three-prong (grounding) plug for your protection against shock hazard and should be plugged directly into a properly grounded three-prong receptacle (See Fig. 1).



Disconnect heater from the gas supply before installing the fan accessory. Contact a qualified service person to do this.

Fig. 2—Remove Blower Panel

1. Remove the blower panel using a screwdriver (see Fig. 2).

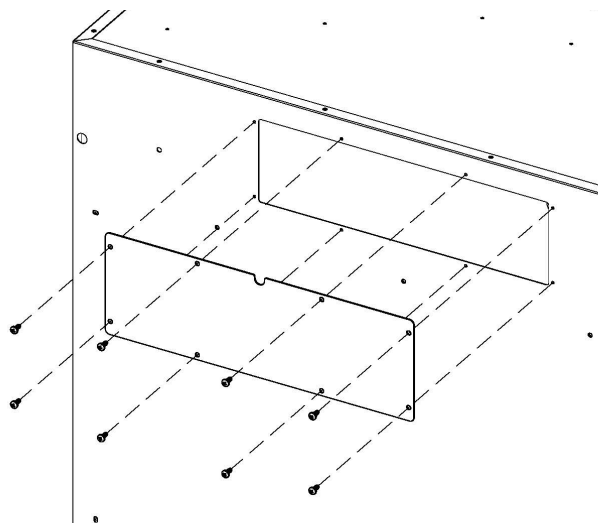
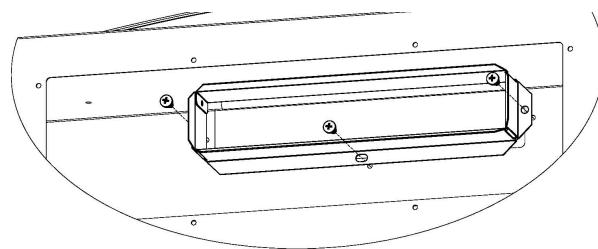


Fig. 3—Attach Blower Duct

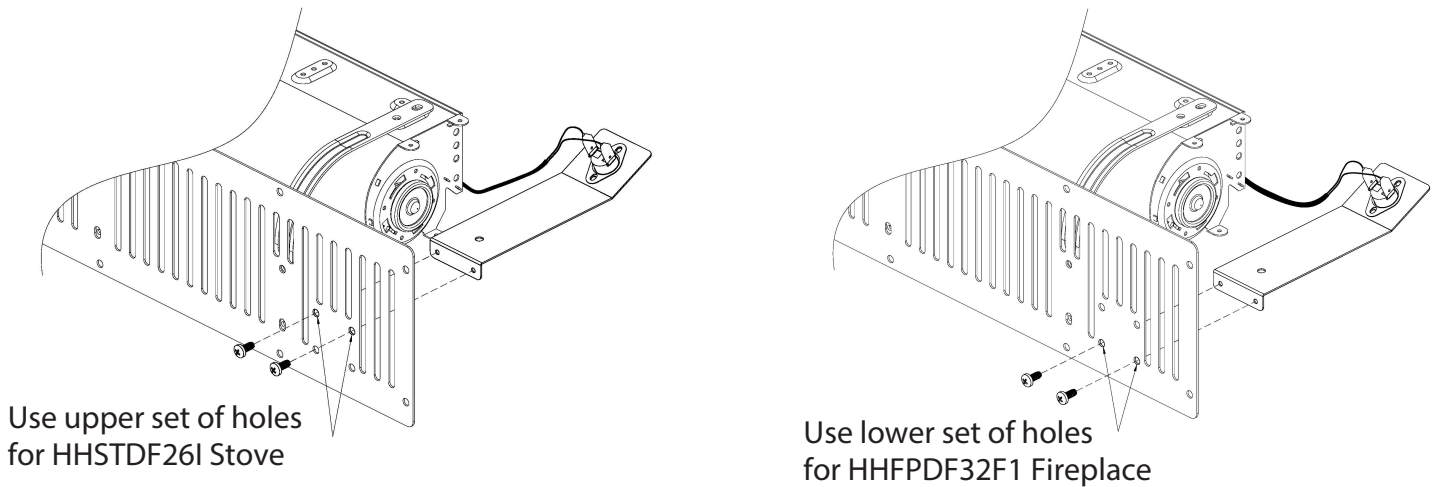
2. Attach blower duct to the rear panel of the heater using three screws provided (see Fig. 3).



Installation (cont.)

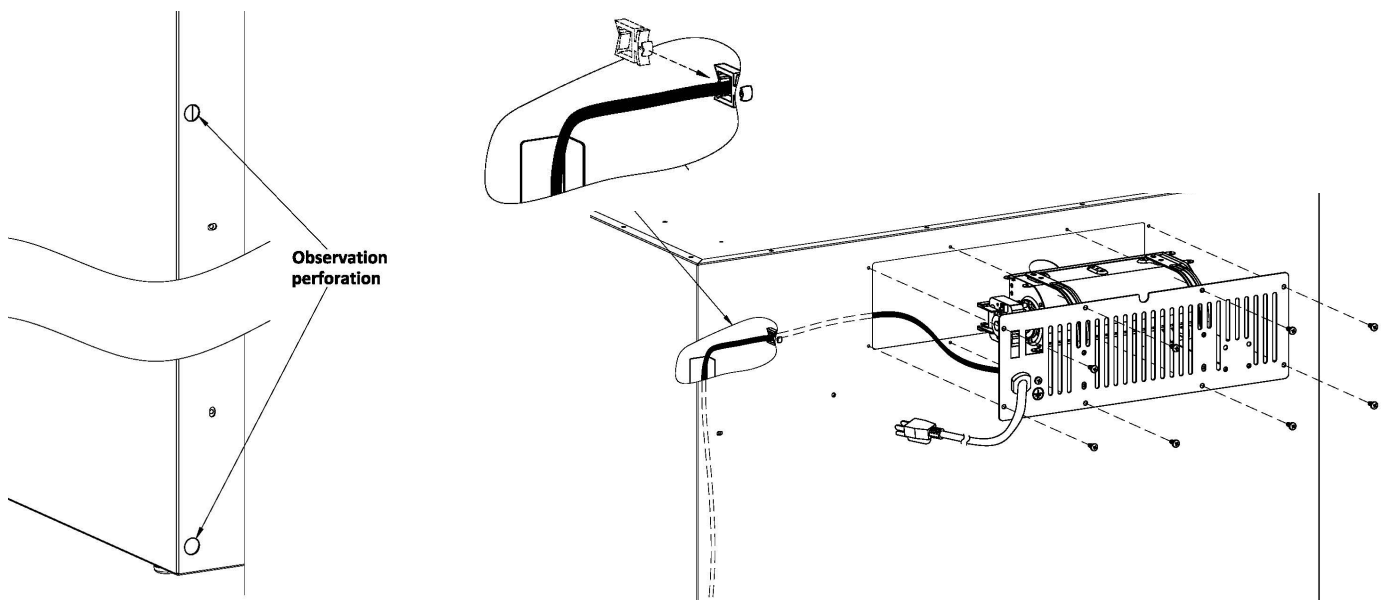
- Attach blower thermal switch bracket to blower panel with two screws provided (see Fig. 4).

Fig. 4—Attaching Thermal Switch Bracket



- Route wire harness through channel in the back corner of the heater. There are two observation ports on the back of the heater to assist in routing the wire harness. Before securing blower assembly to the heater, put a wire clip on wire harness and snap into the inside of the heater back panel. Secure blower with 8 screws (see Fig. 5).

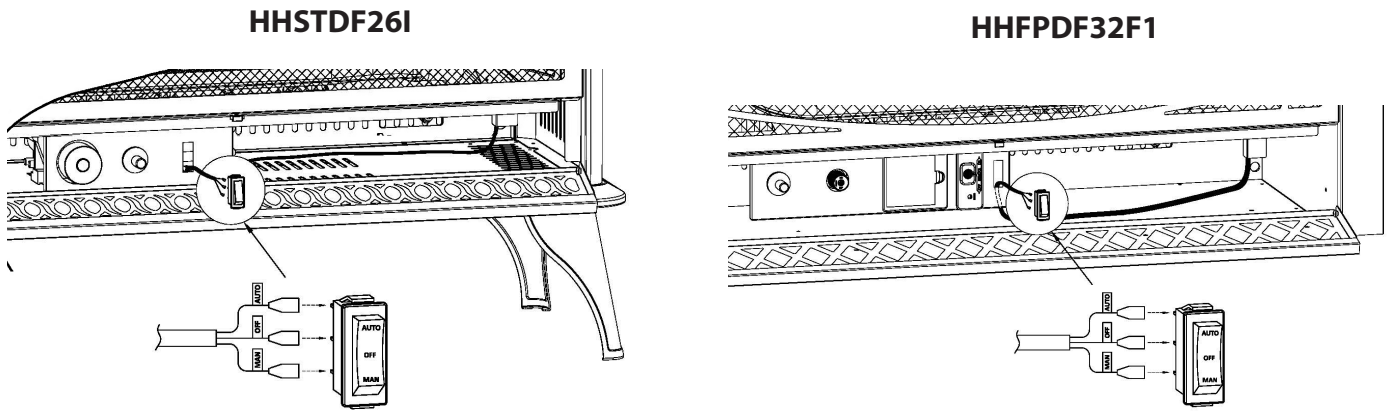
Fig. 5—Wire Routing and Blower Attachment



Installation (cont.)

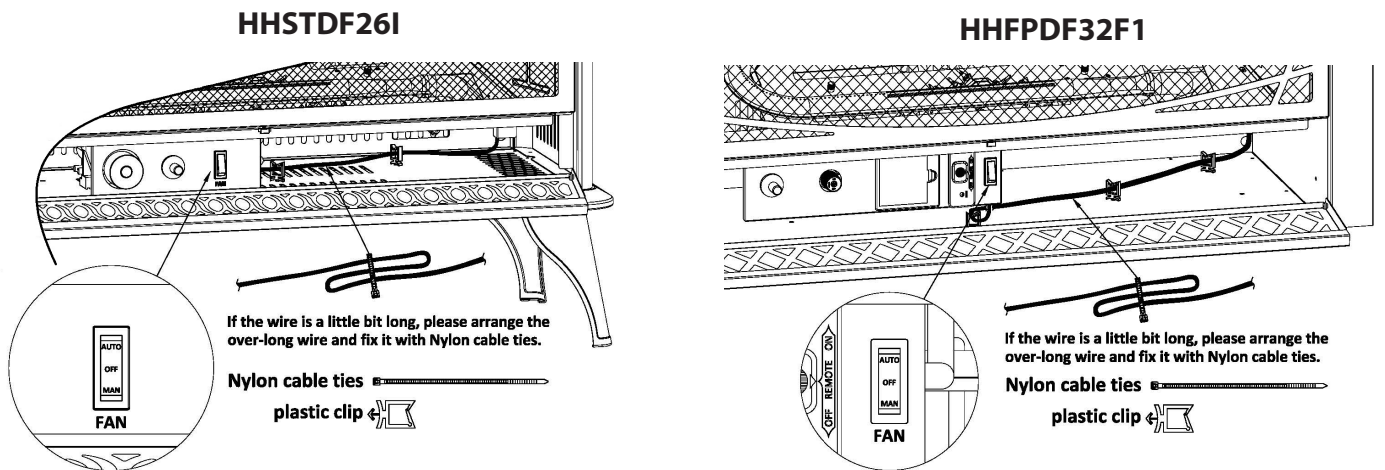
5. Route the wire harness as shown through the opening in the control panel (see Fig. 6). Connect the wires to the switch in the order identified in the wiring diagram .

Fig. 6—Connecting Switch



6. Snap Switch into opening in control panel, making sure to position the Auto function on top. Wire clips and a cable tie are provided to help keep the wire harness away from the hot firebox and burner (see Fig. 7).

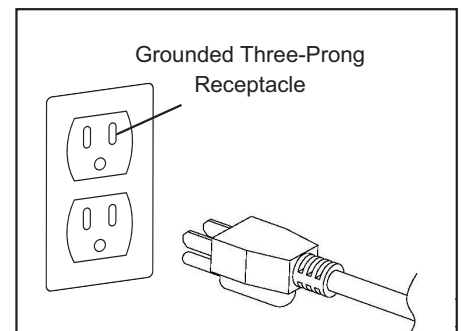
Fig. 7—Installing Switch and securing wires



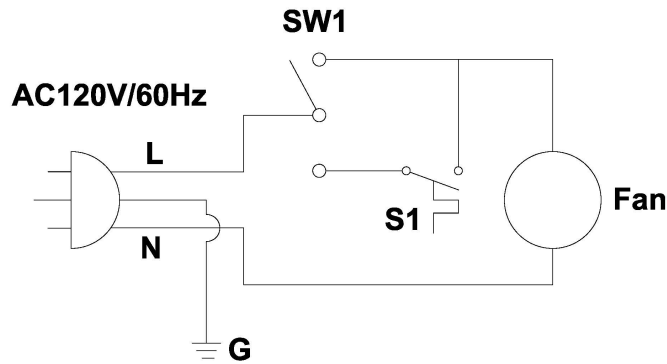
The Blower is equipped with manual ON, OFF and AUTO switch (see Fig. 7). In the Auto position the Blower will automatically come on a few minutes after the burner comes on and will shut off a few minutes after the burner shuts off.

7. Plug the power cord into a properly grounded three-prong receptacle (see Fig. 8).

Fig. 8—Grounded Receptacle



Electrical Wiring Diagram



NOTE: If any of the original wire supplied with the heater must be replaced, a wire of at least an equal temperature rating must be used. Refer to the above wiring diagram if replacing the original wire.

▲ CAUTION

Label all wires prior to disconnection when servicing controls. Wiring errors can cause improper and dangerous operation. Verify proper operation after servicing.

Maintenance and Troubleshooting

▲ WARNING

Make sure all power to the appliance is turned OFF before proceeding.

- Always disconnect the appliance from the main power supply and allow it to cool before performing any servicing operation.
- The motor used on the fan is prelubricated for extended bearing life and requires no further lubrication.
- Periodic cleaning/vacuuming of the appliance around the air intake and exhaust, as well as the fan, is recommended. For heavy or continuous use, periodic cleaning must be done more frequently.
- If the heater blows alternating cold and warm air, check the fan for free movement and for debris that may be restricting air flow. If the fan does not move freely, turn off the unit and immediately replace the fan to prevent further damage to the unit.

Problem	Possible Cause	Solution
The blower is not turning.	<ol style="list-style-type: none"> 1. There is no power to the blower. 2. The blower motor is bad. 	<ol style="list-style-type: none"> 1. Verify the blower is plugged in and set to "MAN" or "AUTO." 2. Replace the blower.
The blower is making a loud noise.	<ol style="list-style-type: none"> 1. Blower housing or blades are dirty. 2. The blower rotation is blocked. 3. The blower is defective. 	<ol style="list-style-type: none"> 1. Clean the blower and blower housing. 2. Verify wiring is not in the blower path. 3. Replace the blower.

WARRANTY

KEEP THIS WARRANTY

Always specify model and serial numbers when communicating with customer service.

We reserve the right to amend these specifications at any time without notice. The only warranty applicable is our standard written warranty. We make no other warranty, expressed or implied.

LIMITED WARRANTY

HEARTH & HOME VENT-FREE GAS SPACE HEATER ACCESSORY

Hearth & Home Dynamics warrants this product to be free from defects in materials and components and limited labor for (3) THREE years from the date of first purchase, provided that the product has been properly installed, operated and maintained in accordance with all applicable instructions. To make a claim under this warranty, the Bill of Sale or cancelled check must be presented.

This warranty is extended only to the original retail purchaser. This warranty covers the cost of part(s) required to restore this heater to proper operating condition and an allowance for labor when provided by a Hearth & Home Dynamics Authorized Service Center. Warranty part(s) MUST be obtained through authorized dealers of this product and/or Hearth & Home Dynamics who will provide original factory replacement parts. Failure to use original factory replacement parts voids this warranty. The heater MUST be installed by a qualified installer in accordance with all local codes and instructions furnished with the unit.

This warranty does not apply to parts that are not in original condition because of normal wear and tear or parts that fail or become damaged as a result of misuse, accidents, lack of proper maintenance or defects caused by improper installation.

Some states do not allow limitation on how long an implied warranty lasts or an exclusion or limitation of incidental or consequential damages, so the above limitation on implied warranties, or exclusion or limitation on damages may not apply to you.

Always be sure to specify the model number and serial number when making any claim with Hearth & Home Dynamics. For your convenience, use the space provided below to list this information.

Locating Your Serial Number:

Your accessory model number can be found on the back or side of your accessory. Have your model number ready before calling customer service at 1-888-534-1578.

Model #: _____

Date of Purchase: _____



Hearth & Home
— DYNAMICS