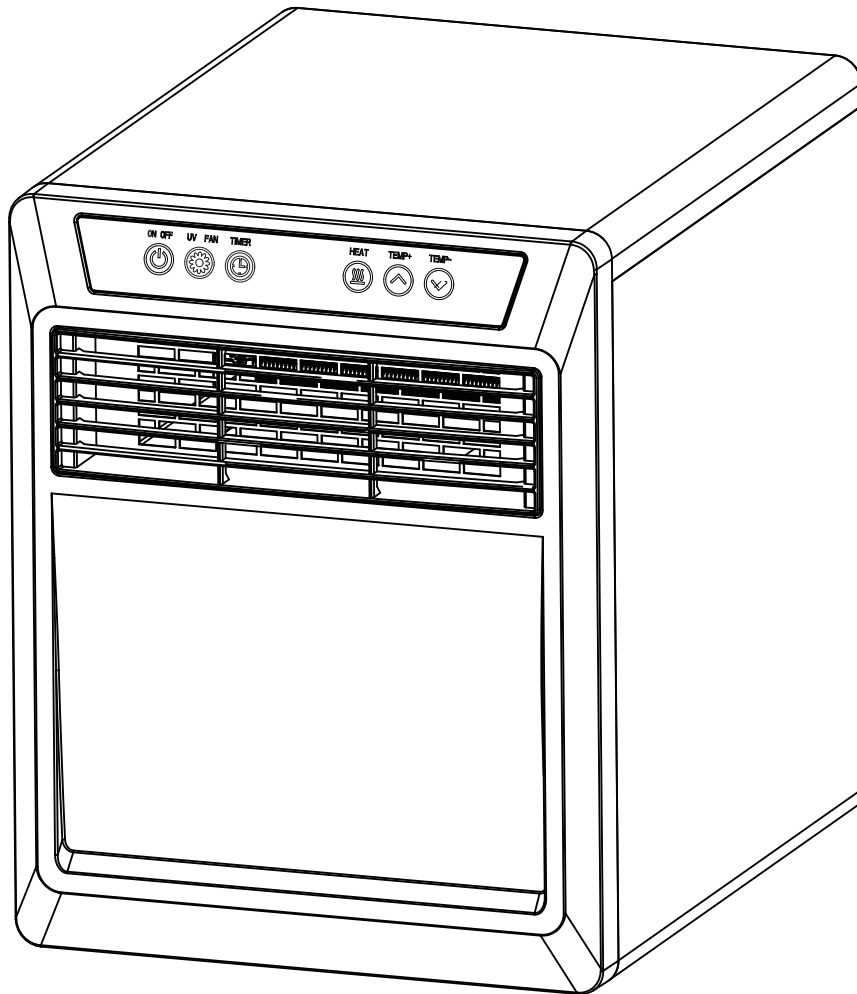


Airo + UV

3-in-1 UV-C AIR SANITIZING SPACE HEATER & FAN

User's Manual and Operating
Instructions

Model
UV 1500



Retain this manual for future reference.



Table of Contents

Specifications.....	2
Safety Information	3
Product Identification	5
Features	5
Placement for Use.....	6
Operation	6
Care and Maintenance	8
Troubleshooting Guide	10
Limited Warranty	11

Specifications

MODEL NUMBER: UV1500
DIMENSIONS: 14.6”L x 11.4”W x 14.6”H
WEIGHT: 16.5 pounds
INPUT VOLTAGE: 120V 60H 1500W
AIR SANITIZING OVERAGE: 160 sq. ft.
HEATING OVERAGE: 600 sq. ft.
UVC LAMP: 14W, 254nm Wavelength
REPLACEMENT UVC LAMP: UV150L
REPLACEMENT FILTER: UV150F

Safety Information

READ AND SAVE THESE INSTRUCTIONS

WARNINGS

Failure to comply with the warnings listed below may result in electric shock or serious injury.

When using electrical appliances, basic precautions should always be followed to reduce the risk of fire, electric shock and injury to persons, including the following

- Read all instructions before using appliance.
- Extreme caution is necessary when any heater is used by or near children or invalids and whenever the heater is left operating and unattended.
- Always unplug the air sanitizer before moving it, opening the grill, changing filters, cleaning or whenever the air sanitizer is not in use. Be sure to disconnect by the plug and not the cord.
- Do not operate any appliance with a damaged cord or plug or after the appliance malfunctions, has been dropped or damaged in any manner. Call Customer Service for assistance.
- DO NOT use outdoors.
- This appliance is not intended for use in bathrooms, laundry areas and similar indoor locations. Never locate appliance where it may fall into a bathtub or other water container.
- Do not run cord under carpeting. Do not cover cord with throw rugs, runners, or similar coverings. Do not route cord under furniture or appliances. Arrange cord away from traffic area and where it will not be tripped over.
- To disconnect appliance, switch controls off, then remove plug from outlet.
- To avoid fire or shock hazard, plug the appliance directly into a 120V AC electrical outlet.
- Do not insert or allow foreign objects to enter any ventilation or exhaust opening as this may cause an electric shock or fire, or damage the heater.
- To prevent a possible fire, do not block air intakes or exhaust in any manner.
- A heater has hot and arcing or sparking parts inside. Do not use it in areas where gasoline, paint, or flammable liquids are used or stored.
- Use appliance only for intended household use as described in this manual. Any other use not recommended by the manufacturer may cause fire, electric shock or injury to persons.
- Always plug heaters directly into a wall outlet/receptacle. Never use with an extension cord or relocatable power tap (outlet/power strip).

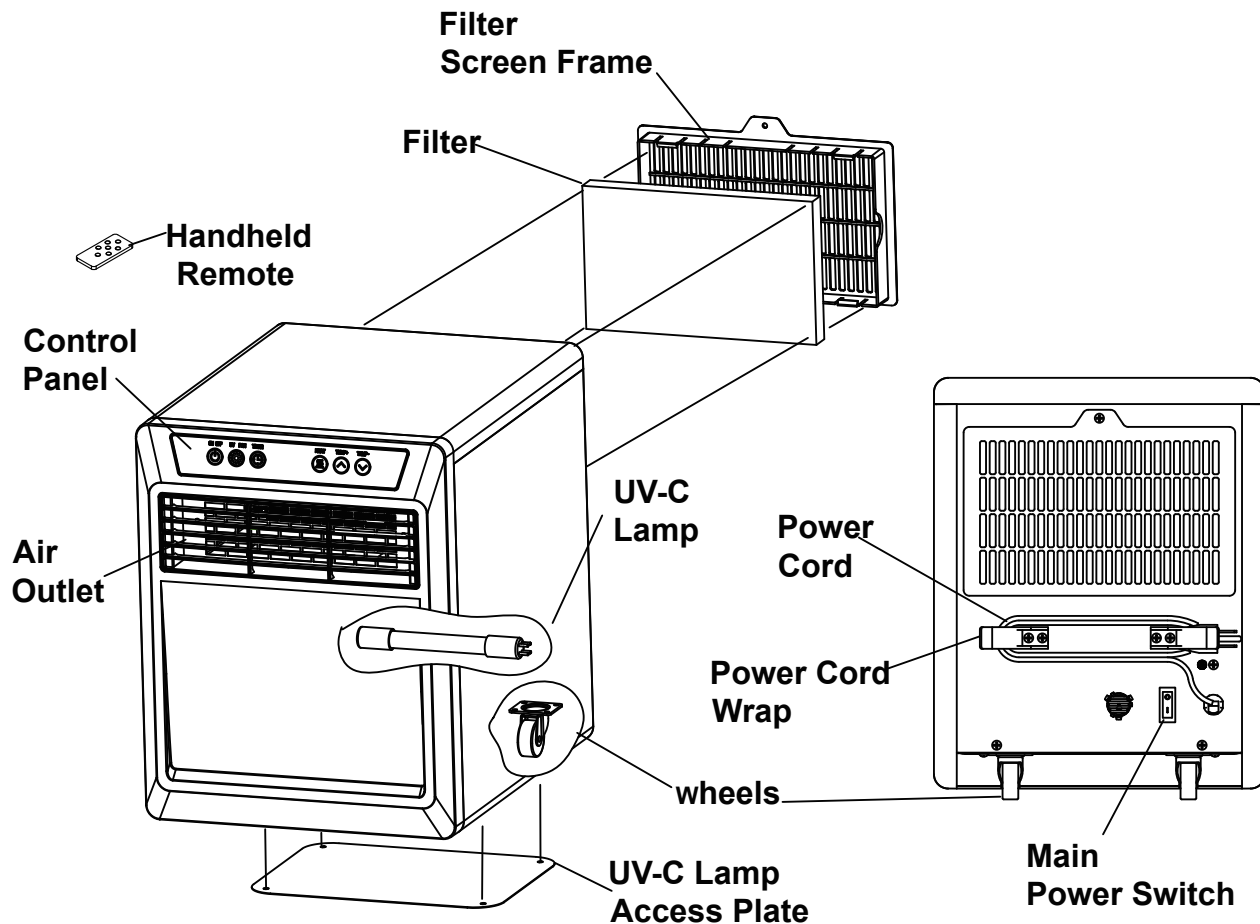
Safety Information (cont.)

- Do not attempt to repair or adjust any electrical or mechanical functions on this unit. Doing so will void your warranty. The inside of the unit contains no user serviceable parts. All servicing should be performed by qualified personnel only.
- **WARNING:** Skin or eye damage may result from directly viewing the light produced by the lamp in this apparatus. Always disconnect power before replacing lamp or servicing. Replace Lamp with Lamp Model No. AP150UB only.

"SAVE THESE INSTRUCTIONS"

WARNING: This product can expose you to chemicals including lead or lead compounds, which are known to the state of California to cause cancer and birth defects or other reproductive harm. For more information go to www.P65Warnings.ca.gov.

Product Identification



Features

FILTER

The filter captures large dust particles and allergen particles; lint and pet hair which helps extend the life of your air sanitizer. The activated carbon absorbs formaldehyde, benzene, household and pet odors.

GERMICIDAL UV-C LIGHT

The power of UV-C light sterilizes micro-organisms, such as germs, viruses, bacteria, and fungi (such as mold toxins). The 254nm wavelength UV-C light damages the DNA or RNA of viruses, bacteria and other pathogens and causes micro-organisms to lose the ability to multiply and cause disease.

MICATHERMIC HEATING ELEMENT

Provides heat in two heat settings - 750 watts and 1,500 watts.

2 SPEED FAN

For maximum control of 110CFM fan to effectively sanitize and heat the area.

CONTROL PANEL and Handheld Remote

Air sanitizing, Heating, Fan operation modes, Timer, and Temperature Settings.

Placement for Use

1. Do not place the 3-in-1 air sanitizer near curtains to avoid and prevent the curtain being drawn into the sanitizer and damaging it.
2. Place 3-in-1 air sanitizer upright when using to ensure normal running.
3. Place 3-in-1 air sanitizer in populated areas to effectively improve the indoor air quality.

Notice: Check the filter before using. Do not use this product if the filter is damaged. Replace filter if there are cracks or holes in the filter.

The air sanitizer is recommended for use in a single, closed room up to 165 square feet and the heating function comfortably heats up to 600 square feet.

Operation



Main Power Switch

The Main Power Switch is located on the back of the Air Sanitizer near the power cord. When the Main Power Switch is turned on there will be a prompt sound, and the red light under the ON/OFF button will be on, indicating there is power to the control panel.

ON/OFF Button

Press the ON/OFF button to switch on the air sanitizer, press again to shut off the air sanitizer.

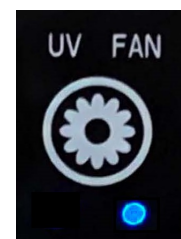
UV Air Sanitizing

Press the UV FAN button to switch on the UV-C lamp to effectively kill bacteria in the air. Note, the blue light behind the grille is not the UV-C wavelength. The UV-C lamp is contained in the bottom of the product. The light behind the grille is LED to indicate the product is in air sanitizing mode.

Press UV FAN button once and the blue LED indicator light under UV comes on and the display shows U1 (low fan speed), press the UV FAN button a second time and the display shows U2 (high fan speed).

Fan Only

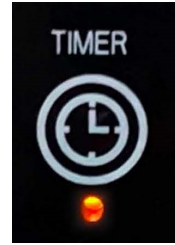
Press UV FAN button a three times and the blue LED indicator light under FAN comes on or press the FAN button on the remote and the display shows F1 (low fan speed), press the UV FAN button a fourth time or the FAN button a second time on the remote and the display shows F2 (high fan speed). Press UV FAN button a fifth time to shut off the fan.



Operation (cont.)

Shut Off Timer

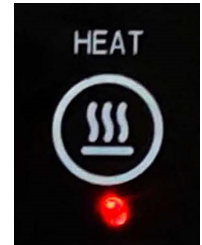
Press TIMER button once for each hour increment between 1 to 12 hours to set the countdown timer to shut off either the UV and/or Heating function. The display will show the hour(s) selected. An amber LED light will indicate the timer function has been set.



Heating

Press HEAT button once and a red LED indicator light comes on and the display shows H1 for Low Heat (Note: High fan speed is default), press the HEAT button a second time and the display shows H2 for Maximum Heat.

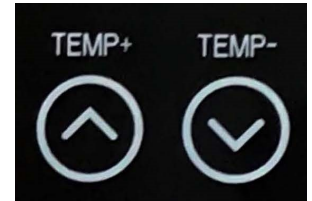
Note: When the heater is on, the LED light behind the grille will be red to indicate the product is in heating mode. If the UV function is on at the same time as heating, the LED light behind the grille will be purple.



Setting Temperature

The heater temperature can be set between 60°F to 90°F (16°C to 32°C). The temperature display can be changed between °F and °C by pressing the TEMP+ and TEMP- at the same time for 3 seconds.

Press TEMP+ to increase the temperature setting and TEMP- to decrease the temperature setting.



Shut Off Heat

Press HEAT button a third time to shut off heat.

Note, the fan will continue to run for 1 minute to dissipate the heat within the product.

There is a memory feature which will keep the previous settings when the product is turned on again.

Care and Maintenance

WARNING: Always disconnect power before attempting service or cleaning to reduce the risk of fire, electrical shock or personal injury.

CAUTION: Never operate the unit without a filter or with a damaged filter.

Attention: It is recommended to wear gloves when replacing the filter to avoid contact with pollutants and replacing the UV-C lamp to prevent oils from your hand on the lamp.

Cleaning and Replacing Filter, Replacement Filter No.: UV150F

For optimal performance, the filter should be cleaned at least once every month. More frequent cleaning may be required depending on the environmental conditions where you live.

It is not recommended to use the air sanitizer in places where candle soot or fireplace soot and smoke is present. If candle or fireplace soot and smoke are present, then more frequent cleaning will be required.

Cleaning Filter

Use the brush attachment on your vacuum cleaner to remove lint and dirt from the filter. If necessary, you can wash the filter in warm water with a mild dish detergent.

1. The Filter is located in the back of the Air Sanitizer, Fig. 3.
2. Remove the screw securing the Filter Screen Frame and slide Screen Frame out. The Filter will be contained within the Screen Frame, Fig. 3&4.
3. Pull Filter from Screen Frame to clean or replace. The Filter is meant to fit snug within the Screen Frame.
4. Screw the Screen Frame back into place securely.

Fig. 3

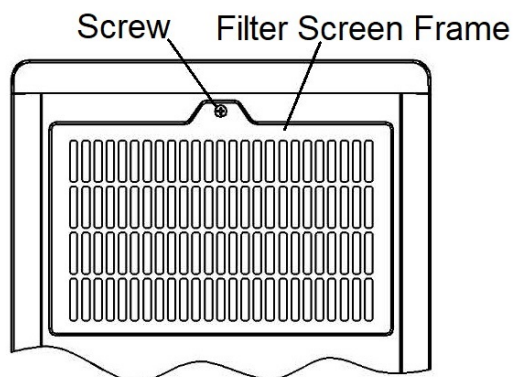
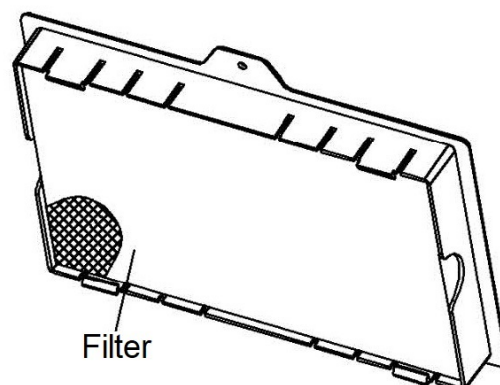


Fig. 4



Care and Maintenance (cont.)

Replacing UVC Lamp, Replacement Lamp No.: UV150L

WARNING: UV Light is harmful to bare skin and eyes and can cause temporary or permanent loss of vision. Never look directly at the UV lamp while it is illuminated-doing so could cause loss of vision!

CAUTION: Do not touch the glass part of the lamp. Oil from fingertips will decrease the effectiveness of the lamp.

The UV lamp functions up to 12 months (8,000 hours) of continuous, effective operation. After 8,000 hours, the lamp may remain illuminated, but its effectiveness greatly reduced. For maximum germicidal protection, replace the UV lamp annually.

Unplug the unit before replacing UVC Lamp.

Attention: Follow all precautions identified in UVC replacement lamp instructions.

1. Remove Bottom Access Plate by removing the four philips head screws, Fig. 5.
2. Remove the screw securing the UVC Lamp Holder and carefully unplug UVC Lamp, Fig. 6.
3. Carefully plug in the new UVC Lamp and resecure the Lamp Holder.
4. Screw the Bottom Access Cover back into place securely.

Fig. 5

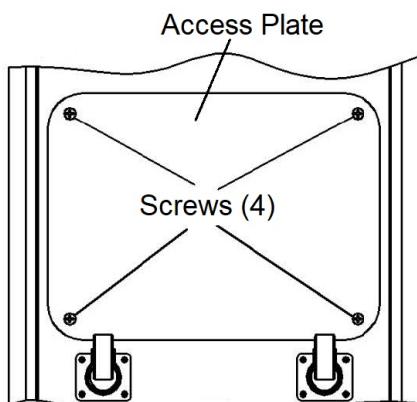
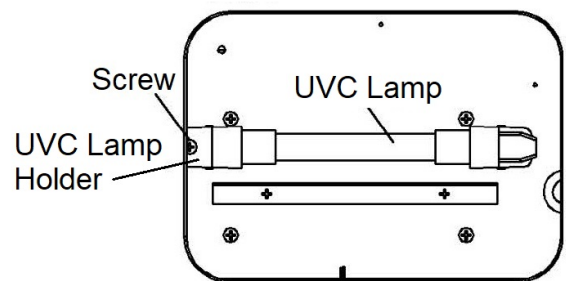


Fig. 6



Care and Maintenance (cont.)

Cleaning the 3-in-1 Air Sanitizer Cabinet

- Always unplug the unit before cleaning.
- Clean outer surface with slightly dampened towel with a light water and dishwashing soap solution.
- Do not allow water to enter the Air Sanitizer, this could damage the Air Sanitizer and/or cause electric shock.
- Make sure the Air Sanitizer is completely dry before using.

Troubleshooting Guide

Common problem	Possible cause	Solutions
Unit does not operate	1 The power switch is not turned on. 2 Not plugged in.	1 Turn the power switch in the back on and press the power ON button to turn on the sanitizer. 2 Check that the power cord is plugged in to a properly grounded outlet.
Airflow reduced or sanitizing effect is unsatisfied	1 Air inlet or air outlet is blocked. 2 Filter may be blocked.	1 Make sure the air inlet and outlet are not blocked. 2 Check and clean or replace the filter if necessary.
Increase in noise level	1 Air inlet or air outlet is blocked. 2 Filter may be blocked with lint, dust or pet hair.	1 Make sure the air inlet and outlet are not blocked. 2 Check and clean or replace the filter if necessary.

Customer Service

If you did not find the solution to your problem or have a product question, contact our customer service at: help@airouv.com

LIMITED WARRANTY

KEEP THIS WARRANTY

Always specify model and serial numbers and/or date code when communicating with customer service.

We reserve the right to amend these specifications at any time without notice. The only warranty applicable is our standard written warranty. We make no other warranty, expressed or implied.

You should first read all instructions before attempting to use this product.

- A.** This limited warranty applies to repair or replacement of product found to be defective in material or workmanship. This warranty does not apply to damage resulting from commercial, abusive, unreasonable use or supplemental damage. Defects that are the result of normal wear and tear will not be considered manufacturing defects under this warranty. **HEARTH AND HOME DYNAMIC, LLC IS NOT LIABLE FOR INCIDENTAL OR CONSEQUENTIAL DAMAGES OF ANY NATURE, ANY IMPLIED WARRANTY OF MERCHANTABILITY OR FITNESS FOR A PARTICULAR PURPOSE ON THIS PRODUCT IS LIMITED IN DURATION TO THE DURATION OF THIS WARRANTY.** Some jurisdictions do not allow the exclusion or limitation of incidental or consequential damages or limitations on how long an implied warranty lasts, so the above limitations or exclusions may not apply to you. This warranty gives you specific legal rights, and you also may have other rights which vary from jurisdiction to jurisdiction. This warranty applies only to the original purchaser of this product from the original date of purchase.
- B.** At its option, Hearth and Home Dynamics, LLC will repair or replace this product if it is found to be defective in material or workmanship.
- C.** This warranty does not cover damage resulting from any unauthorized attempts to repair or from any use not in accordance with the instruction manual.
- D.** This warranty does not cover Filter, or UV-C Lamp except for material or workmanship defects.

Model #: _____

Serial # or Date Code: _____

Date of Purchase: _____

Airo  **UV**

Por Hearth and Home Dynamics, LLC